



PS02-1000 Hand Wash Stand Technical Information

SPECIFICATIONS

Dimension	Imperial	Metric
Height	41 in.	104 cm.
Width	18 in.	46 cm.
Depth	9 in.	23 cm.
Tank Capacity	16 gal.	61 ltr.
Pump Capacity (per stroke)	2 fl. oz	59.14 ml
Number of Single Dispenses	1024	1024
Weight Empty	16 lb.	7.2 kg.
Weight Full	150 lb.	68 kg.

All materials, including resin, pigments and additives used to make the plastic components as well as the plumbing components that come in contact with the fresh water are U.S. FDA food grade compliant.

We recommend reading through the entire information booklet prior to proceeding with installation, service and maintenance. All references to left and right throughout the booklet are as viewed from the front of the restroom.

POLYJOHN USA

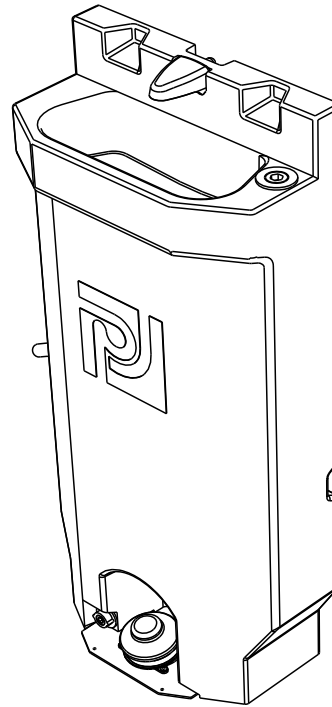
PolyJohn Enterprises Corp
2500 Gaspar Ave.
Whiting, IN 46394
Phone: 800-292-1305
Fax: 219-659-0625
www.polyjohn.com
info@polyjohn.com

POLYJOHN WORLDWIDE

PolyJohn (UK) Ltd.
Equinox 1 Audby Lane
Wetherby, England LS22 7RD
Phone: 44 (0) 1937-583333
Fax: 44 (0) 1937-583322
sales@polyjohn.co.uk

POLYJOHN CANADA

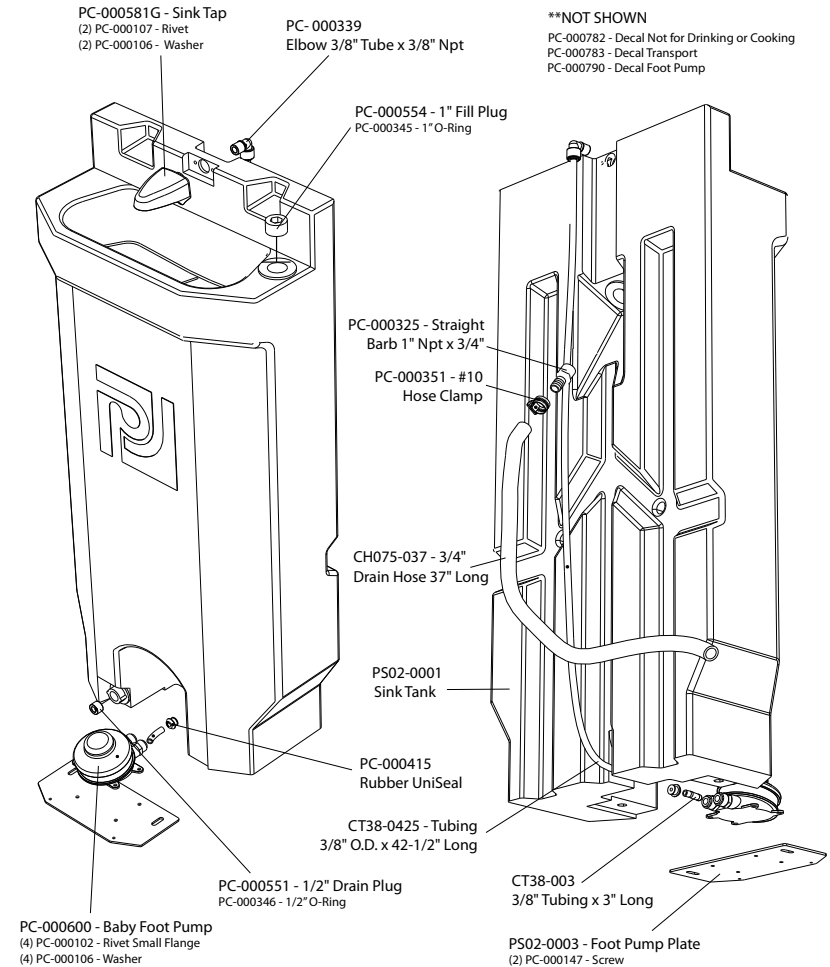
PolyJohn Canada
P.O. Box 2300
99 Forest Plain Rd.
Orillia, Ontario LV3 6S2
Phone: 800-465-9590
Fax: 705-325-8250
info@polyjohncanada.ca



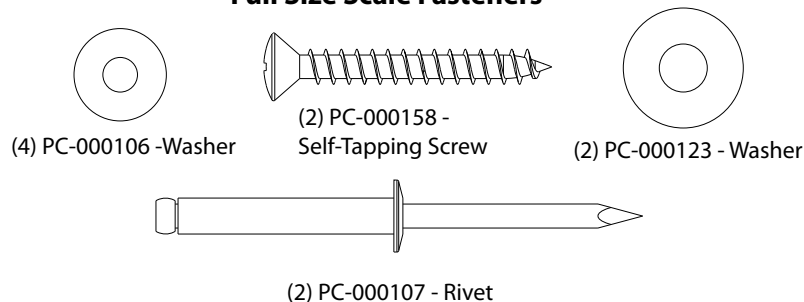
General Product Information

This self-contained hand wash sink is designed for installation in the PJ03 Series portable restroom. It will fit in many other similar types of portable restrooms including the PJN3 Series restroom. It is supplied fully assembled including all fasteners for installation and will fit on either sidewall. One person will be required for installation with the exception of some assistance to hold the back-up washers when riveting the sink to a sidewall.

Parts Drawing - Exploded View



Full Size Scale Fasteners



~~Tools Required for Installation~~

- Tape measure
- 1-1/8" hole saw
- 3/8" Hex-key wrench
- 5/8" Hex-key wrench
- Drill with 13/64" bit
- Rivet Gun
- Phillips, cross-head screwdriver

Installation of Sink

Before installing the sink, a 1-1/8" drain hole that will accept the drain hose must be cut in the waste tank. This hole should be located on the top left or right front edge of the waste tank approximately 16" up from the base skid.

Place the sink flat against the sidewall, making sure the drain hose is routed through one of the moulded-in channels along the back. There are two square recesses to the left and right of the water spigot, to attach the sink to the sidewall drill a 13/64" hole into the center of both the square recesses. Fasten to the sidewall from the interior by putting a PC-000106 washer at the head of a PC-000107 rivet and have someone hold a PC-000123 and a PC-000106 washer on the rivet stem on the exterior.

Attach sink to base skid; Drive two PC-000158 self-tapping screws in the predrilled holes in the sink mounting plate.

IMPORTANT DECALS

NOT FOR COOKING OR DRINKING, required by law in certain areas of the U.S. Other geographical areas require that the materials used to manufacture the sinks comply with the U.S. Federal Food and Drug Administration (FDA) guidelines 21 CFR 175.300 (resins), 177.1520 (olefin polymers) and 178.3297 (colorants for polymers). The materials also comply with the U.S. Public Health Service Drinking Water Standards, 42 CFR part 72 and U.S. Environmental Protection Agency Interim Primary Drinking Water Regulations 40 CFR part 141.

HANDS FREE SINK, instruction for user to use foot pump to operate the sink.

UNIT MUST BE DRAINED BEFORE TRANSPORTING, reminds service operator to empty the sink before transporting.

Winterizing

- Drain all water from the tanks.
- Depress the foot pump to clear lines.
- Flush tank with a solution of chlorine and water.

CLEANING AND MAINTENANCE

Use a mild soap to clean all surfaces and component parts.

Minor scratches and abrasions can be lightly sanded or scrubbed with a mild abrasive cleaner (*such as "Soft Scrub"*) that contains calcium carbonate, hypochlorate bleach and detergents. Be sure to follow the cleaning product directions since these ingredients may cause hazardous gases when mixed with other chemicals. Rinse the cleaned area and buff with a conventional wax.

Some light scratches may also be hidden by using an industrial hot air gun.

To keep the water fresh add a "Fresh Sink Tablet" (*chlorinated tablet*) each time the sink is filled with water.

For a source of cleaning, deodorizing and paper products contact:

POLYJOHN
2500 GASPAR AVE.
WHITING, IN 46394-2175
800-292-1305

We highly recommend membership in the Portable Sanitation Association International (PSAI); the worldwide authority on portable sanitation services. The PSAI, "Portable Sanitation Industry Certification Program" manual contains a wealth of information on standards and service procedures. For more information contact the PSAI:

PORTABLE SANITATION ASSOCIATION INTERNATIONAL (PSAI)
7800 METRO PARKWAY, SUITE 104
BLOOMINGTON, MINNESOTA 55425 USA
800-822-3020 / 612-854-8300 FAX 612-854-7560
www.pesai.org

MISSION STATEMENT

"PolyJohn is a family owned, state of the art, plastics manufacturing company dedicated to providing its employees with a work environment committed to excellence, and its customers with innovative products, services and technology that meet or exceed their requirements."

THANK YOU FOR PURCHASING POLYJOHN PRODUCTS!

Look for us on the Web @ www.PolyJohn.com