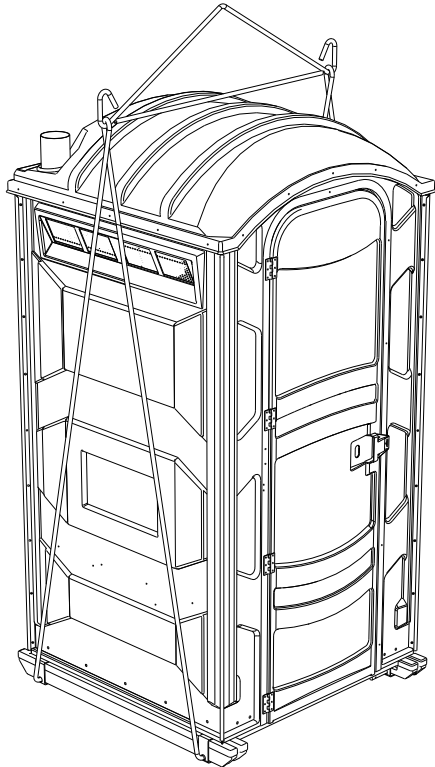




# MS02-1000 Lifting Sling Assembly Instructions



### General Overview

*The MS02-1000 Lifting Sling, made of a no rust galvanized steel. Designed to move most portable restrooms around a construction site. Shipped with the MS01-0200 - Small Parts Bag which includes the necessary parts for easy assembly.*

### Specifications

|  |          |           |
|--|----------|-----------|
| Clearance Height when attached to Unit | 104 in   | 264 cm    |
| Legs Can Extend to length of the Unit  | 48 in    | 122 cm    |
| Width of Lifting Arm                   | 47.75 in | 121 cm    |
| Lifting Capacity                       | 1000 lbs | 453.59 kg |

**SEE PAGE 4 FOR PRODUCT WARNINGS**

#### POLYJOHN USA

PolyJohn Enterprises Corp  
2500 Gaspar Ave.  
Whiting, IN 46394  
Phone: 800-292-1305  
Fax: 219-659-0625  
www.polyjohn.com  
info@polyjohn.com

#### POLYJOHN WORLDWIDE

PolyJohn (UK) Ltd.  
Equinox 1 Audby Lane  
Wetherby, England LS22 7RD  
Phone: 44 (0) 1937-583333  
Fax: 44 (0) 1937-583322  
sales@polyjohn.co.uk

#### POLYJOHN CANADA

PolyJohn Canada  
P.O. Box 2300  
199 Forest Plain Rd.  
Orillia, Ontario LV3 6S2  
Phone: 800-465-9590  
Fax: 705-325-8250  
info@polyjohncanada.ca

### Attaching the Lifting Sling using the Steel Clips

**Step 1.** Attach one end of the MS01-0002G - Lifting Arm to the looped-end of one of the MS01-0001G - Sling Legs. Repeat for the other end of arm and leg.

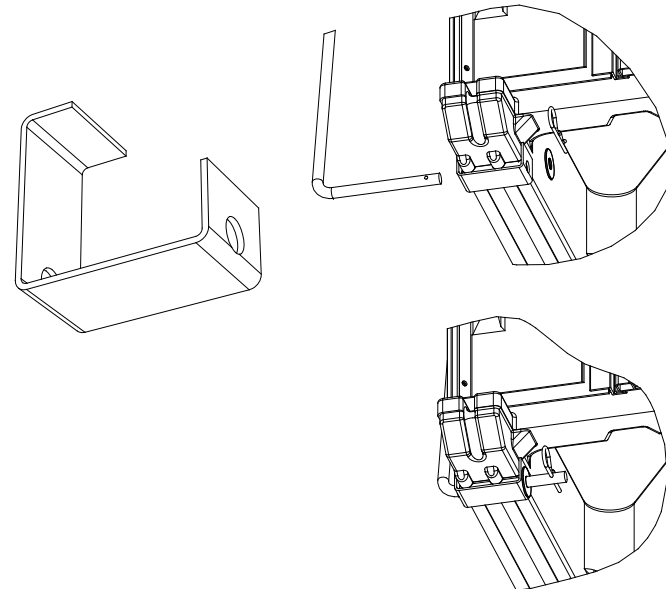
**Step 2.** Push the Portable Unit between the sling legs.

**Step 3.** Lift or tilt one end of the restroom and slide one of the metal clips (MS02-0001G) over the end of the runner of the floor skid. Line up the hole of the clip with the groove in the bottom of the runner. *(Make sure the tall end of the clip is on the outside of the skid, with the holes of the clip on the bottom along the floor.)*

**Step 4.** Insert one foot of a sling leg into the outer hole of the metal clip and through the inner hole of the clip. Place a PC-000129 washer over the foot of the sling leg. Follow by inserting a PC-000132 hairpin cotter into the hole of the foot and push until the foot is in the middle opening of the hairpin cotter to lock in place.

**Step 5.** Repeat for the three other ends of the skid.

*Follow steps in reverse order to detach lifting sling.*



## Attaching the Lifting Sling without the Steel Clips

**Step 1.** Attach one end of the MS01-0002G - Lifting Arm to the looped-end of one of the MS01-0001G - Sling Legs. Repeat for the other end of arm and leg.

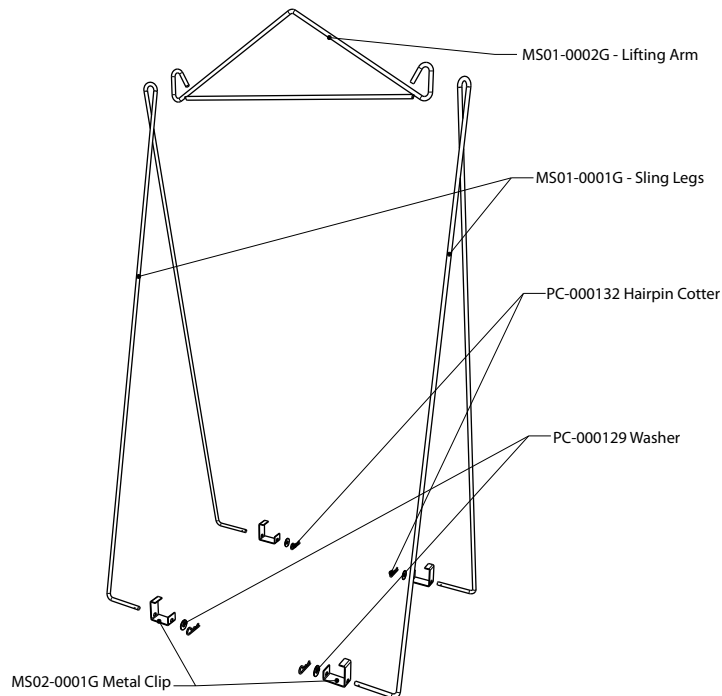
**Step 2.** Push the Portable Unit between the sling legs.

**Step 3.** For all skids whether plastic or wood, drill four 11/16" holes through the sides of the runners (*two holes per runner*). The ideal drill locations should be 5" in from each end of the runner and 1-1/2" from the bottom of the skid. **NOTE: Before drilling check the inside of the runner for any obstructions and adjust drill locations accordingly.**

**Step 4.** Insert one foot of a sling leg through the hole in the runner. Place a PC-000129 washer over the foot of the sling leg. Follow by inserting a PC-000132 hairpin cotter into the hole of the foot and push until the foot is in the middle opening of the hairpin cotter to lock in place.

**Step 5.** Repeat for the three other ends of the skid.

**Follow steps in reverse order to detach lifting sling.**



MS02-1000 Lifting Sling  
July 2008  
Page 3 of 4

## Safe Handling Instructions

1. This unit is made to lift portable restrooms only. It has a lifting capacity of 1000 lbs. This unit was designed to lift PolyJohn brand portable restrooms. If using this product with a different portable restroom manufacturer, the unit must be weighed to insure that the 1000 lb. lifting capacity is not exceeded. The unit must not be used to lift anything or anyone inside of the portable restroom.
2. Only one (1) sling set/unit to be lifted by one (1) lifting device at a time.
3. The base of the portable restroom and the lifting sling must be visually inspected prior to any lift.
4. All lifting must be done from the center apex of the sling cross bar.
5. Any bent or damaged parts must be reported to supervisor immediately and taken out of service.

### **FAILURE TO FOLLOW THESE INSTRUCTIONS COULD RESULT IN INJURY OR DEATH.**

We highly recommend membership in the Portable Sanitation Association International (PSAI); the worldwide authority on portable sanitation services. The PSAI, "Portable Sanitation Industry Certification Program" manual contains a wealth of information on standards and service procedures. For more information contact the PSAI:

PORTABLE SANITATION ASSOCIATION INTERNATIONAL (PSAI)  
7800 METRO PARKWAY, SUITE 104  
BLOOMINGTON, MINNESOTA 55425 USA  
800-822-3020 / 612-854-8300 FAX 612-854-7560  
[www.psa.org](http://www.psa.org)

### **MISSION STATEMENT**

"PolyJohn is a family owned, state of the art, plastics manufacturing company dedicated to providing its employees with a work environment committed to excellence, and its customers with innovative products, services and technology that meet or exceed their requirements."

**THANK YOU FOR PURCHASING POLYJOHN PRODUCTS!**

Look for us on the Web @ [www.PolyJohn.com](http://www.PolyJohn.com)

MS02-1000 Lifting Sling  
July 2008  
Page 4 of 4