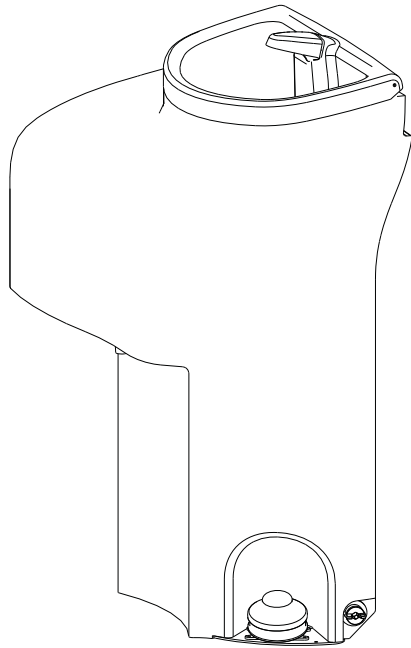




2005 Fleet™ Sink Series Installation & Technical Information



SPECIFICATIONS

DIMENSION	IMPERIAL	METRIC
Height	39 in.	100 cm
Width	17 in.	43 cm
Depth	21 in.	53 cm
Tank Capacity	20 gal.	76 ltr.
Pump Capacity (per stroke)	2 fl. oz	59.14 ml
Number of Single Dispenses	1280	1280
Weight Empty	16 lb.	7.26 kg.
Weight Full	183 lb.	83 kg.

All materials, including resin, pigments and additives used to make the plastic components as well as the plumbing components that come in contact with the fresh water are U.S. FDA food grade compliant.

We recommend reading through the entire instructions prior to proceeding with installation, service or maintenance. All references to left and right throughout this informational booklet are as viewed from the front of the restroom.

POLYJOHN USA

PolyJohn Enterprises Corp
2500 Gaspar Ave.
Whiting, IN 46394
Phone: 800-292-1305
Fax: 219-659-0625
www.polyjohn.com
info@polyjohn.com

POLYJOHN WORLDWIDE

PolyJohn (UK) Ltd.
Equinox 1 Audby Lane
Wetherby, England LS22 7RD
Phone: 44 (0) 1937-583333
Fax: 44 (0) 1937-583322
sales@polyjohn.co.uk

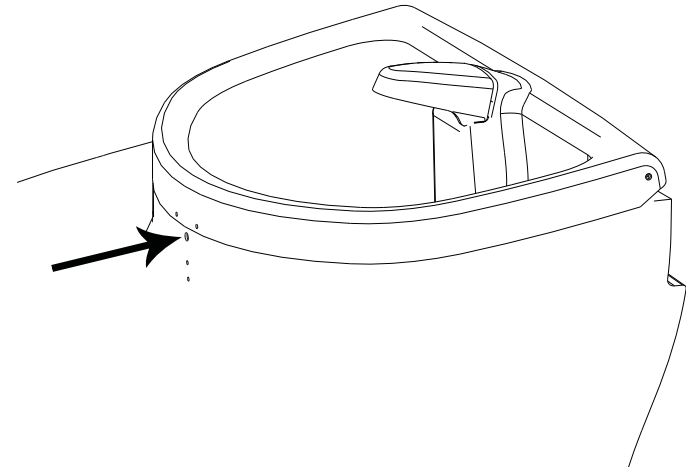
POLYJOHN CANADA

PolyJohn Canada
P.O. Box 2300
199 Forest Plain Rd.
Orillia, Ontario LV3 6S2
Phone: 800-465-9590
Fax: 705-325-8250
info@polyjohncanada.ca

General Product Overview

These self-contained hand wash sinks have been reengineered with a larger bowl so users may wash up to their elbows. Designed for either **Flushing or Non-Flushing FS3 Fleet Series Portable Restrooms**. Sinks are supplied fully assembled including all fasteners for installation. One person will be required to install the sink with the exception of some assistance to hold the back-up washers when riveting the sink to the wall panel. Installation of a sink into a flushing unit will require two people.

The sink bowl is attached to the sink tank with (2) PC-000107 rivets that act as hinges. To unlock the sink, insert a long thin object (*the key for the lock on the T.P. Dispenser works well*) into the 1/4" hole directly below the bottom of the sink lid (as shown below) while pushing down on the front of the lid of the sink, push the key in to release the catch, and lift up the lid.



IMPORTANT DECALS

NOT FOR COOKING OR DRINKING - is required by law in certain areas of the U.S. Other geographical areas require that the materials used to manufacture the sinks comply with the U.S. Federal Food and Drug Administration (FDA) guidelines 21 CFR 175.300 (resins), 177.1520 (olefin polymers) and 178.3297 (colorants for polymers). The materials also comply with the U.S. Public Service Drinking Water Standards, 42 CFR part 72 and U.S Environmental Protection Agency Interim Primary Drinking Water Regulations 40 CFR part 141.

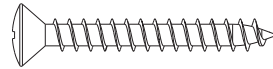
HANDS FREE SINK - instruction for user to use foot pump to operate the sink.

UNIT MUST BE DRAINED BEFORE TRANSPORTING - reminds service operator to empty the sink before transporting.

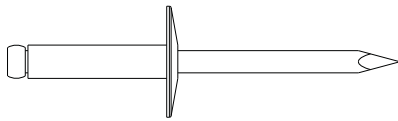
Full Size Scale of Fasteners



(2) PC-000106
Back-up Washer



(1) PC-000158
Self Tapping Screw



(2) PC-000103 - Rivet
Large flange

Tools Required for Installation

- Phillips, cross-head screwdriver
- Drill with 13/64" bit
- 1-1/8" hole saw
- Tape Measure
- Rivet Gun

Replacement Installation for Flushing Units

Remove Existing Sink -

Carefully lay the unit on its back and disconnect the intake hose from the pump and the hose going to the bottom of the waste tank. Stand the unit back up-right. **NOTE:** Sinks for flushing units are supplied with the required hoses attached. Drill out the rivets that hold the sink to the side panel; someone may have to hold the body of the rivets with pliers inside the sink to keep the rivets from spinning. Remove the Phillips cross-head screw from the base plate. Pull the sink up and out.

Install New Sink -

Place sink into its location. Route hoses through skid. Drill two 13/64" holes thru existing sink mounting holes and into sink. Fasten sink to the wall panels with the supplied PC-000103 rivets and PC-000106 washers. Fasten to the floor plate with the PC-000158 screw. Carefully lay unit on its back. (*Refer to the illustration at the right for reattachment of the hoses.*)

Operation

Valve Handle Positioning -

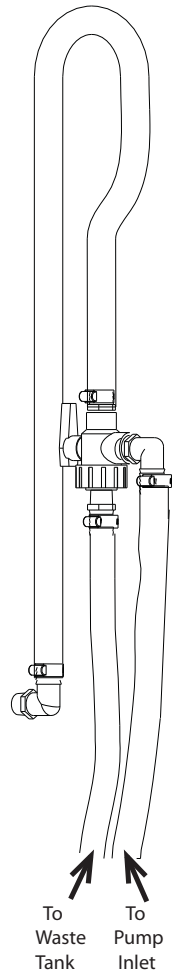
This sink can be used in a Recirculating Flush mode as well as a Fresh Flush mode. The valve for changing from the Fresh Flush to Recirculating Mode is located behind a latch at the right rear corner of the unit. **NOTE:** The flow arrow on the valve should be pointed downward for the Recirculating mode and upward for the Fresh Flush mode.

Filter Replacement -

Filter is held in place by an elbow in the bottom of the sink. To remove the filter from the 3/8" fitting, remove the hose from the quick disconnect fitting in the elbow, unscrew the elbow and pull the filter out.

Pump Replacement -

Quick disconnect fittings are used for the plumbing system. To disconnect the tubing, pull the ring of the fitting toward the fitting stem while pulling out on the tubing.



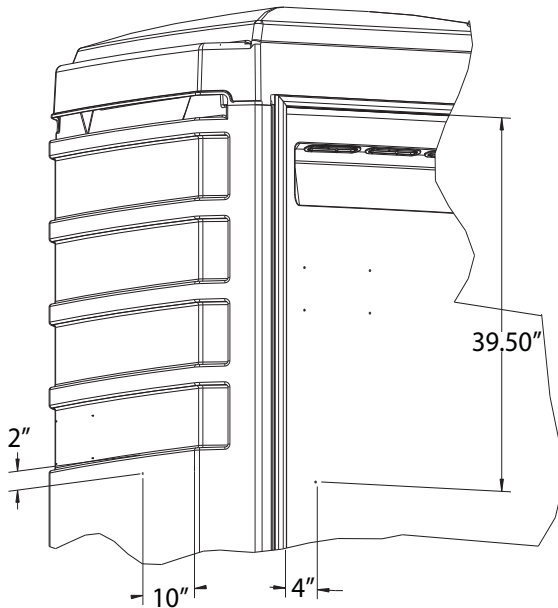
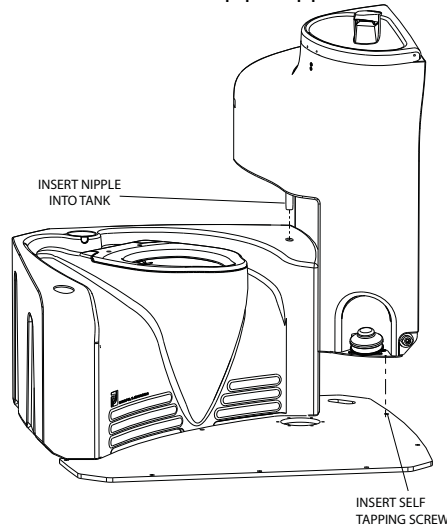
Installation for Non-Flushing Units

Locate the drill spot on the top right surface of the waste tank. Use a 1-1/8" hole saw and cut the drain hole. Position the sink so the drain pipe nipple is inserted into the hole.

(Refer to the illustration below) Drill two 13/64" holes through the wall panels and the back of the sink. The sink should be flat against the wall panel. Fasten the sink from the outside of the unit with (2) PC-000103 rivets and (2) PC-000106 back-up washers on the inside of the sink.

Attach the sink to the base skid; Drive (1) PC-000158 self-tapping screw in the predrilled hole in the pump mounting plate.

Installation is complete.



FS3-'05 Sink - September 2008
Page 5 of 6

Winterizing

- Drain all water from the tanks.
- Depress the foot pump to clear lines.
- Flush tank with a solution of chlorine and water.

CLEANING AND MAINTENANCE

Use a mild soap to clean all surfaces and component parts.

Minor scratches and abrasions can be lightly sanded or scrubbed with a mild abrasive cleaner (such as "Soft Scrub") that contains calcium carbonate, hypochlorate bleach and detergents. Be sure to follow the cleaning product directions since these ingredients may cause hazardous gases when mixed with other chemicals. Rinse the cleaned area and buff with a conventional wax.

Some light scratches may also be hidden by using an industrial hot air gun.

To keep the water fresh add a "Fresh Sink Tablet" (chlorinated tablet) each time the sink is filled with water.

For a source of cleaning, deodorizing and paper products contact:

RID IT
2500 GASPAR AVE.
WHITING, IN 46394-2175
800-292-1305 EXTENSION 514
www.rid-it.com

We highly recommend membership in the Portable Sanitation Association International (PSAI); the worldwide authority on portable sanitation services. The PSAI, "Portable Sanitation Industry Certification Program" manual contains a wealth of information on standards and service procedures. For more information contact the PSAI:

PORTABLE SANITATION ASSOCIATION INTERNATIONAL (PSAI)
7800 METRO PARKWAY, SUITE 104
BLOOMINGTON, MINNESOTA 55425 USA
800-822-3020 / 612-854-8300 FAX 612-854-7560
www.psa.org

MISSION STATEMENT

"PolyJohn is a family owned, state of the art, plastics manufacturing company dedicated to providing its employees with a work environment committed to excellence, and its customers with innovative products, services and technology that meet or exceed their requirements."

THANK YOU FOR PURCHASING POLYJOHN PRODUCTS!

Look for us on the Web @ www.PolyJohn.com